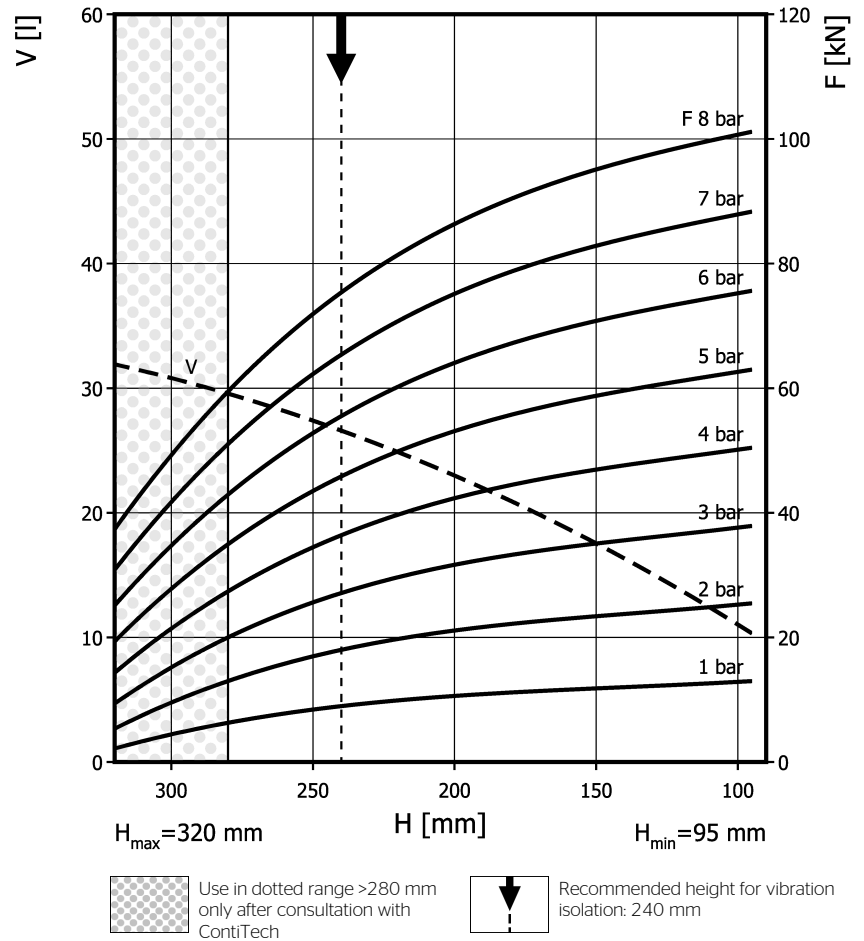
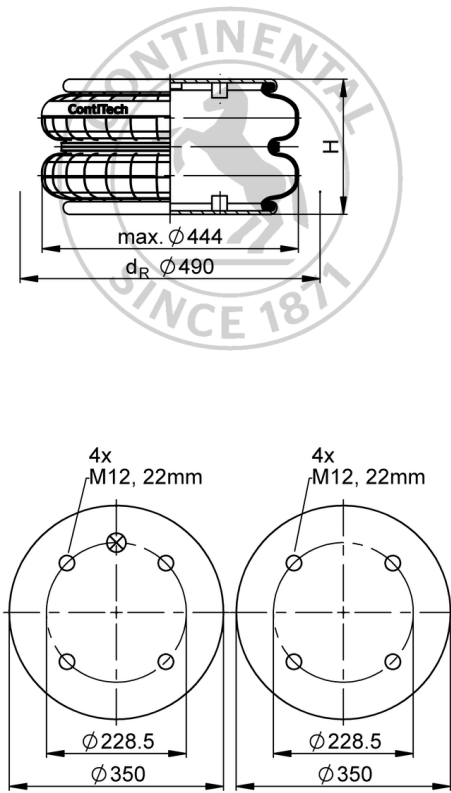


FD 960-22 CI

Double Convolution Air Actuator



Purchase order data

Type	Order No.
rubber bellows only	61776
with crimped plates, G3/4 air inlet A = 114.3 mm excentrical	69798

Additional types on request

Technical data

Min. pressure	0 bar
Return force to min height	≤ 200 N
Overall weight	18.6 kg

Vibration isolation - dynamic characteristic values

Design height H: recommended 240mm, minimum 220mm

Pressure p [bar]	3	4	5	6	7	8	Vol. V [l]
Force (Load) [kN]	27	36.3	45.7	55.4	65.3	75.3	27
Spring rate [N/mm]	312	395.5	480	563.5	648.5	718.5	
Natural frequency [Hz]	1.7	1.6	1.6	1.6	1.6	1.6	

Pneumatic application - static characteristic values

Force F [kN]

Pressure p [bar]	3	4	5	6	7	8	Vol. V [l]
Height H [mm]	220	29.4	39.4	49.6	59.9	70.4	25
	200	31.4	42.1	52.8	63.8	74.9	23
	180	33.1	44.3	55.6	67	78.6	21
	160	34.7	46.4	58.1	70	81.9	19
	140	35.9	47.9	59.9	72.1	84.3	16
	120	36.8	49	61.3	73.7	86.2	14
	100	37.5	50.1	62.6	75.2	87.8	11



Service instructions
M12: max. 75 Nm
G3/4: max. 50 Nm

Measuring procedure: Room temperature / Force-height-data quasistatic / Dynamic data at 1 Hz