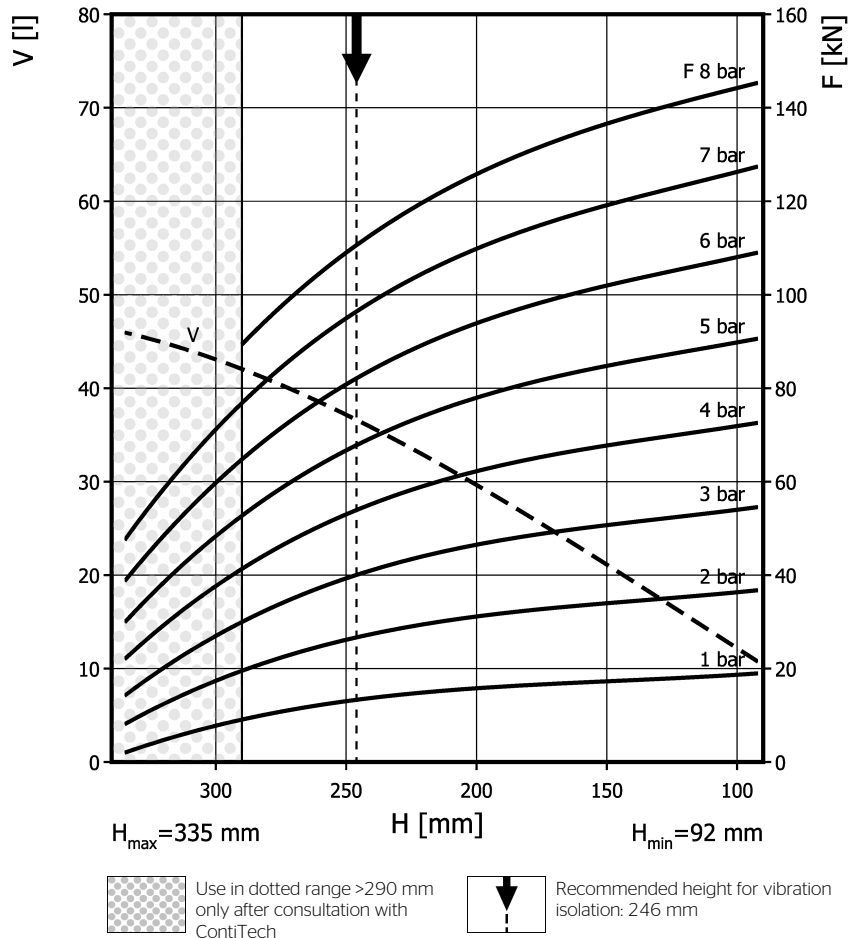
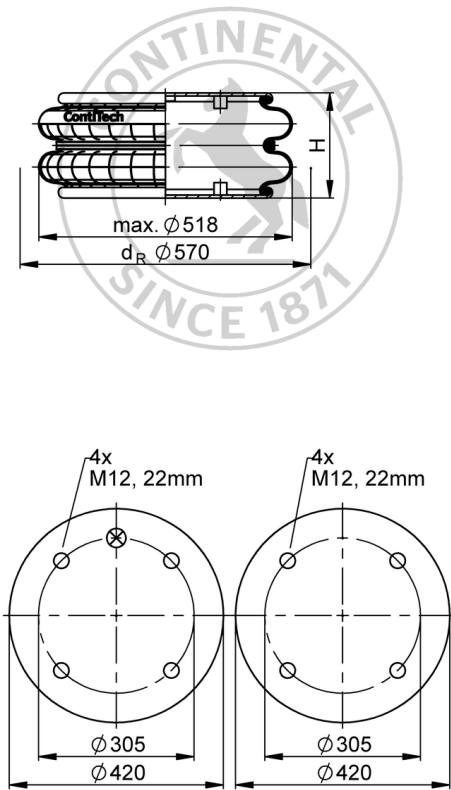


## FD 1330-25 CI

## Double Convolution Air Actuator


Purchase order data
Technical data

Type	Order No.
rubber bellows only	61779
with crimped plates, G3/4 air inlet A = 152.5 mm excentrical	69797

Additional types on request

Min. pressure	0 bar
Return force to min height	≤ 100 N
Overall weight	19.2 kg

**Vibration isolation - dynamic characteristic values**

Design height H: recommended 246mm, minimum 226mm

Pressure p [bar]	3	4	5	6	7	8	Vol. V [l]
Force (Load) [kN]	39.8	53.6	66.9	80.9	94	107.2	
Spring rate [N/mm]	422	541.5	653	764	867.5	971	
Natural frequency [Hz]	1.6	1.6	1.6	1.5	1.5	1.5	

**Pneumatic application - static characteristic values**

Force F [kN]

Pressure p [bar]	3	4	5	6	7	8	Vol. V [l]
Height H [mm]	270	35.1	47.7	60.3	73.4	86.6	
	240	40.7	54.9	69	83.5	98.1	36
	210	44.9	60.2	75.5	91.2	107	31
	180	48.4	64.8	81.3	97.7	114	26
	150	51.1	68.2	85.2	103	120	21
	120	53	70.5	88	106	123	16


 Service instructions  
 M12: max. 75 Nm  
 G3/4: max. 50 Nm

**Measuring procedure:** Room temperature / Force-height-data quasistatic / Dynamic data at 1 Hz